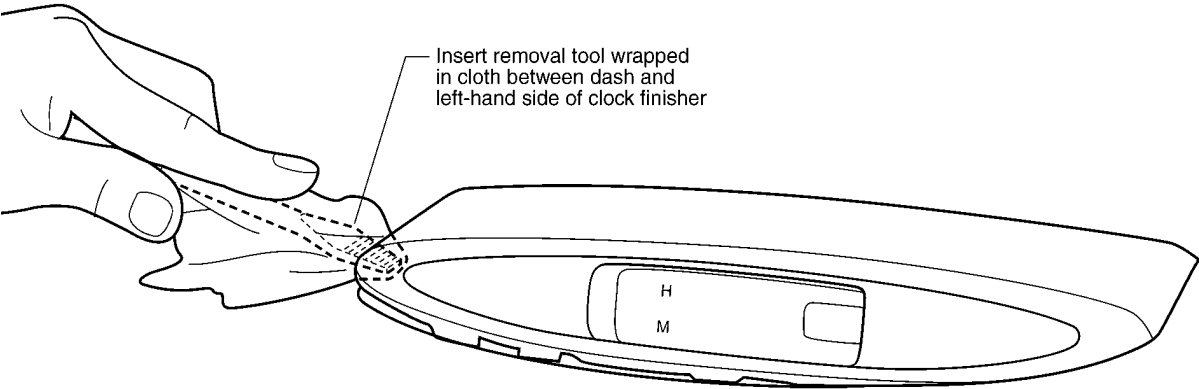


2000 Nissan Maxima Clock Removal

Clock Removal:

- A. Insert a removal tool wrapped in a clean cloth between the console and the left-hand side of the clock finisher (see Figure 7).



Remove the clock (see Figure 8).

